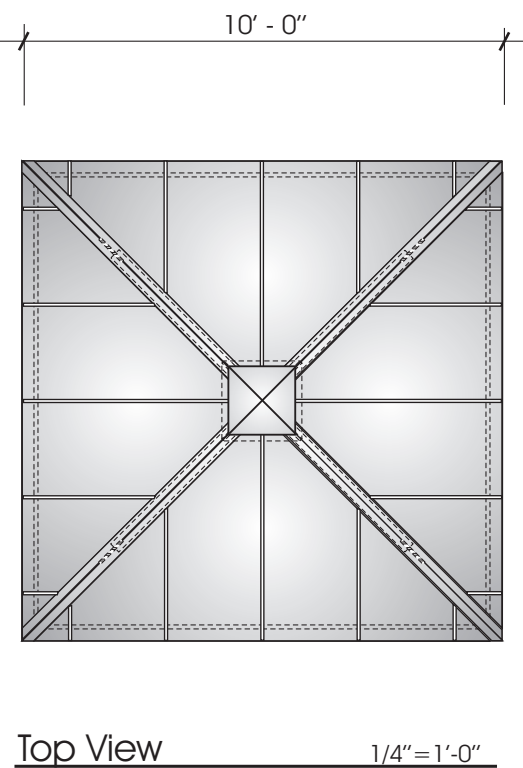
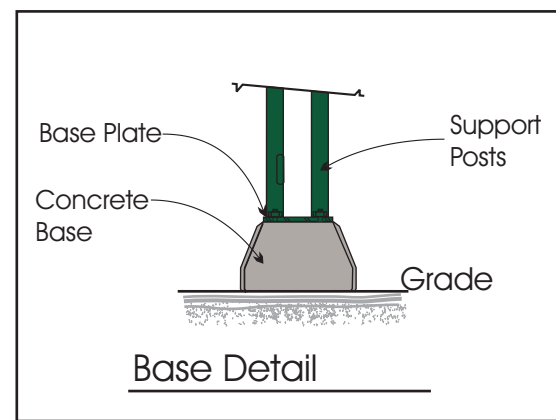
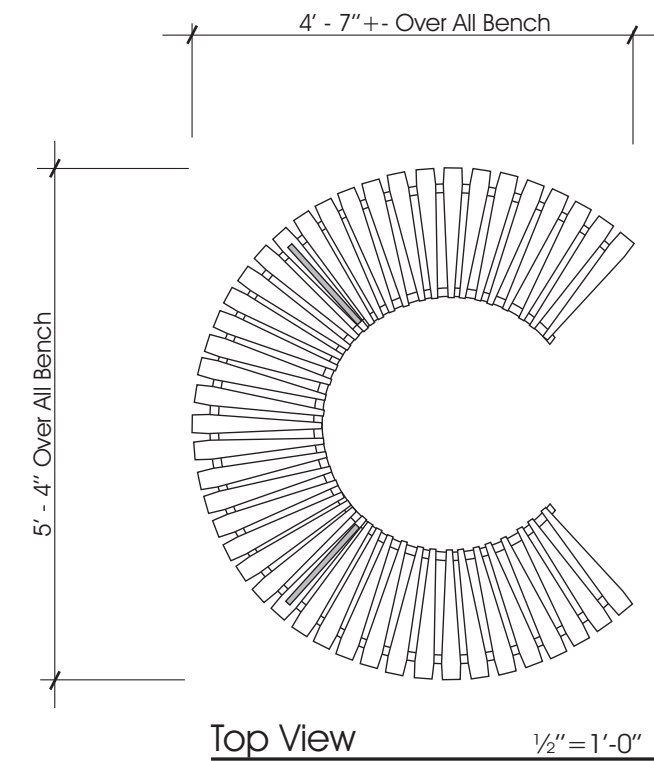


**Elevation** 3/8" = 1'-0"

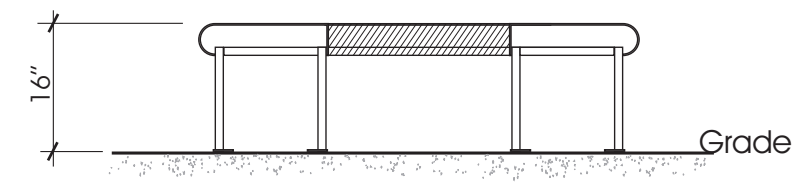
All steel frame construction with sheet metal standing seam roof. Steel Posts with pre-cast concrete bases. Roof is shown with Galvalume Finish but is available in a variety of colors. Shelter frame is shown in a Dk. Green finish but can be custom painted.



**Top View** 1/4" = 1'-0"



**Top View** 1/2" = 1'-0"



**Elevation: 3/4 Round Bench** 1/2" = 1'-0"

Neon Electric Corporation



**Designers • Fabricators • Erectors**  
Architectural Metal Products

1122 Lauder Road Houston, Texas 77039  
(281) 987-1144 fax (281) 987-9443

**Job Name: 10'x 10' Hip Roof Shelter**

Salesperson: Hank Hink

Scale: Shown Date: 8-01-06

Sheet 1 of 1

Installation Address: Various

Work Order No.

Artist: Jgonzalez

Drawing No. 13220-GX1010

Revisions

No.	Date	By
1		
2		
3		
4		

**Shelter Model #1010**

10' x 10' Hip Roof Shelter and  
3/4 Round Steel Bench